

## BRACKETS KIT SLS

**NOTE:** The M5 UNI 5933 screws used for mounting the brackets to a wall are not supplied in the SLS bracket mounting kits, they must be supplied by the user.

CODE	REF:	DESCRIPTION	Qty.
<b>SLS-BRACKET-A (95ASE2920)</b> Complete Bracket System	10	Pitch adjusting bracket	1*
		Support bracket	1*
		M5x10 UNI 5933 screw	4*
	4	Roll adjusting bracket	1*
	5	M4x10 UNI 5931 screw	2*
		D4 UNI-6592 flat washer	2*
		A4 UNI1751 spring washer	2*
	6	M5x14 UNI 5933 screw	2
		M5 SN 213912 washer	2
	7	M5x10 UNI 5933 screw	2
8	Positioning memory bracket	1*	
9	M4x8 UNI 5931 screw	1*	
	A4 UNI1751 spring washer	1*	
<b>SLS-BRACKET-B (95ASE2930)</b> Pitch Regulation Bracket System	3	Pitch adjusting bracket	1
	6	M5x14 UNI 5933 screw	2
		M5 SN 213912 washer	2
	7	M5x10 UNI 5933 screw	2
	8	Positioning memory bracket	1*
9	M4x8 UNI 5931 screw	1*	
	A4 UNI1751 spring washer	1*	
<b>SLS-BRACKET-C (95ASE2940)</b> Head protection bracket	1	Head protection bracket	1
	2	M5x10 UNI 5933 screw	2

\*Pre-assembled

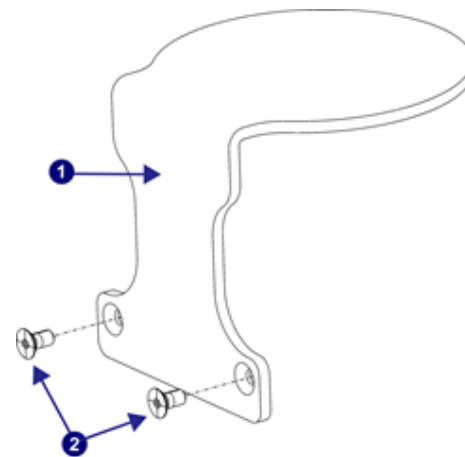
**Required tool:** adjustable torque driver with 3 mm hex bit.

### FASTENING

#### Protection Bracket Mounting (SLS-BRACKET-C) (Optional)

Fasten the protection bracket (1) on the back of the Laser Sentinel, by using two M5 screws (2) (2.9 - 3.1 Nm torque).

**NOTE:** the SLS-BRACKET-C must be mounted on the device, before the others fastening accessories.



#### Wall Mounting Bracket

First, you have to provide two M5 holes with 73 mm spacing on the intended wall or mounting surface.

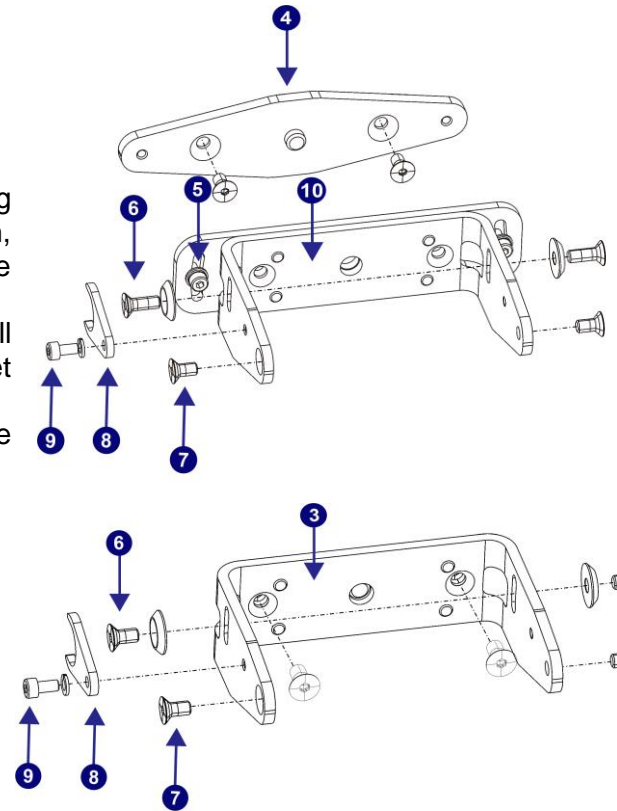
#### SLS-BRACKET-A:

The bracket system (10) is partially assembled.

Mount the roll adjustment bracket (4) to the wall or panel by inserting two M5 UNI 5933 screws (not included), and tighten them, repeatedly alternating between one and the other, until they are completely tight.

After removing the M4 screws and washers (5) from the roll adjustment bracket (4), use them to assemble the support bracket (10) to the roll adjustment bracket (4).

Still, do not tighten the M4 roll adjustment screws for the roll angle (5).



#### SLS-BRACKET-B:

Mount the pitch adjustment bracket (3) to the wall or panel by inserting two M5 UNI 5933 screws (not included), and tighten them, repeatedly alternating between one and the other, until they are completely tight.

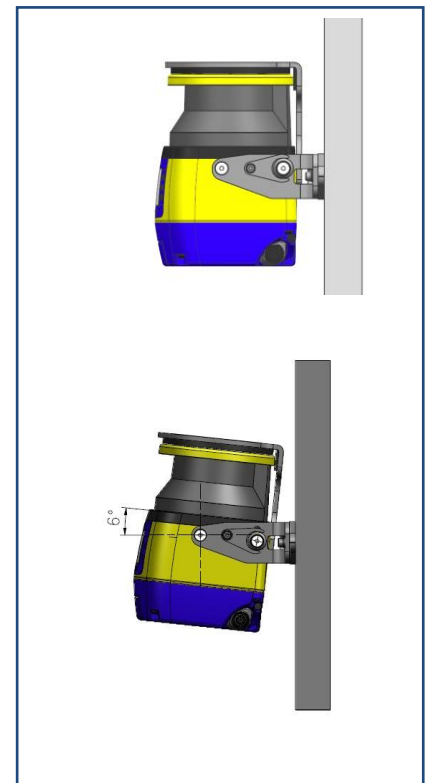
### ADJUSTMENTS

#### Scanner Mounting and Pitch Angle Adjustment

The Positioning Memory Bracket (one piece) (8) saves the inclination angle set for the installation. This allows for quick installation without further mechanical adjustments if it is ever necessary to replace the unit.

To mount the device with 90° vertical inclination, mount the Positioning Memory Bracket (8) with the M4 screw (and washer) (9) to the main bracket (3) but do not tighten it. Align the Positioning Memory Bracket with the center of the main bracket slot, then tighten the M4 screw (9) (1.5-1.6 Nm Torque). Mount the scanner to the main bracket using the M5 x 14 Pitch Adjusting Screws (with washers) (6) and the M5 x 10 Scanner Fastening Screws (7). Tighten all four screws (2.9 - 3.1 Nm Torque).

To place a device with a specific pitch angle, screw without tightening the M5 Scanner Fastening Screws (7), the M5 Pitch Adjusting Screws (6) and the Positioning Memory Bracket (8) with the M4 screw (9). Rotate the device in order to reach the desired pitch angle within the allowed range (+/- 6 °). Tighten the M5 Scanner Fastening Screws (7) and then the M5 Pitch Adjusting Screws (6) (2.9 - 3.1 Nm Torque). In the end, tighten the Positioning Memory Bracket M4 screw (9) (1.5 - 1.6 Nm Torque).



#### Roll Angle Adjustment (SLS-BRACKET-A)

Rotate the brackets to reach the desired roll angle within the allowed range (+/-8.5°) and then tighten the M4 roll adjusting screws (5) (1.4 - 1.5 Nm torque).